


Pompe a pistoni
Piston pumps

Piston pumps / Series P1-4D / P1-4D 3.1.6.1.

SERIE P1-4D 3.1.6.1.

CODICE DI ORDINAZIONE / DECODING

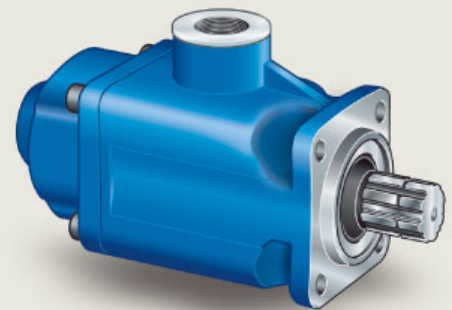
3.1.6 . 1 . XXX . 2 . 0 . 00

3 = CODICE BASE/BASIC CODE
 1 = SERIE NORMALE/STANDARD SERIES
 XXX = CILINDRATA/DISPLACEMENT
 2 = DIN 4 FORV/4 HOLES DIN
 00 = CODICE DI ORDINAZIONE / DECODING

DIN
5 4 6 2
SE

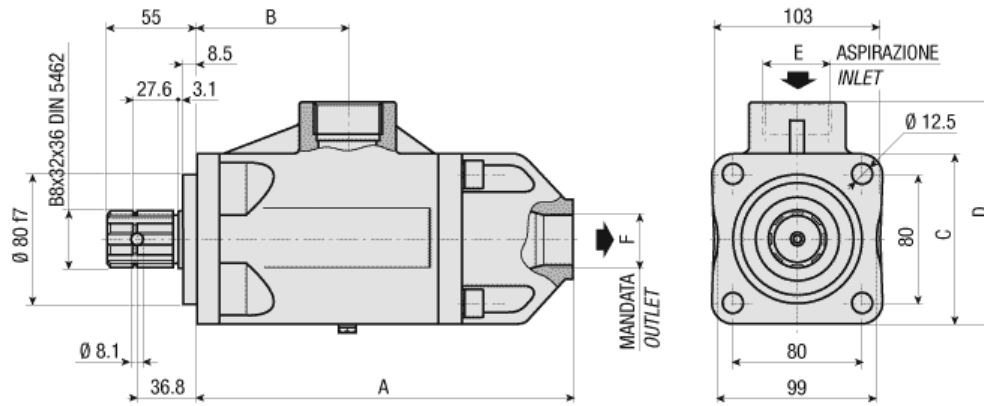
 P1 19-4D
 P1 25-4D
 P1 37-4D
 P1 50-4D
 P1 60-4D

Piston pumps



SPECIFICATIONS AND TECHNICAL DATA

TYPE	CODE	DISPLACEMENT cm ³	A mm	B mm	C mm	D mm	E INLET	F OUTLET	WEIGHT kg
P1 19-4D	3.1.6.1.019.2.0.00	19	232,5	92,5	106	138	1" 1/4 G	1" G	10,5
P1 25-4D	3.1.6.1.025.2.0.00	25	232,5	92,5	106	138	1" 1/4 G	1" G	10,5
P1 37-4D	3.1.6.1.037.2.0.00	37	232,5	92,5	106	138	1" 1/4 G	1" G	10,5
P1 50-4D	3.1.6.1.050.2.0.00	50	232,5	92,5	106	138	1" 1/4 G	1" G	10,5
P1 60-4D	3.1.6.1.060.2.0.00	60	232,5	92,5	106	138	1" 1/4 G	1" G	10,5



TYPE	CODE	DISPLACEMENT cm ³	MAX CONTINUOUS OPERATING PRESSURE bar	MAX INTERMITT. OPERATING PRESSURE (MAX 30S) bar	MAX PEAK PRESSURE (P<= 0.15) bar
P1 19-4D	3.1.6.1.019.2.0.00	19	350	400	450
P1 25-4D	3.1.6.1.025.2.0.00	25	350	400	450
P1 37-4D	3.1.6.1.037.2.0.00	37	350	400	450
P1 50-4D	3.1.6.1.050.2.0.00	50	350	400	450
P1 60-4D	3.1.6.1.060.2.0.00	60	300	350	400

TYPE	CODE	DISPLACEMENT cm ³	MAX INTERMITTENT SPEED (P<=20 BAR) n/min r.p.m.	MAX CONTINUOUS SPEED (P<=P1) n/min r.p.m.	MIN INTERMITTENT SPEED (P<=P2X0.5) (MAX 30S) n/min r.p.m.
P1 19-4D	3.1.6.1.019.2.0.00	19	2200	1900	400
P1 25-4D	3.1.6.1.025.2.0.00	25	2200	1800	400
P1 37-4D	3.1.6.1.037.2.0.00	37	2200	1800	400
P1 50-4D	3.1.6.1.050.2.0.00	50	2200	1800	400
P1 60-4D	3.1.6.1.060.2.0.00	60	2100	1700	400

Interpump Hydraulics Spa a socio unico - Business Unit PZB
 Sede Legale ed Operativa: Via A. Mingozzi, 6 - 40012 Calderara di Reno (BO) - Italy
 Tel.: +39 051 6460511 - Fax ITA: +39 051 6460565 - Fax EXPO: +39 051 6460560
 E-mail ITA: venditeitalia@pzbitaly.com - E-mail EXPO: info@pzbitaly.com - Web: www.pzbitaly.com
 Cap. Soc. Euro 2.631.600,00 i.v. - N. Mecc. BO 056383 - R.E.A. BO 444225 - C.F. 00883010241 - P.Iva IT02128140361
 Soggetta ad attivit  di Direzione e Coordinamento da parte di Interpump Group Spa

[HOME](#) [RESERVED AREA](#) [COOKIES POLICY](#)

Copyright   2015 Interpump Hydraulics.

website optimized for
 Internet Explorer 9 Safari 5.1 Chrome 18 Opera 11.61 Firefox 11